

● **BLAUPUNKT**



TITANIUM DOME TWEETER **MPT 25**



Enjoy it.

Operating and Installation Instructions

CAUTIONS

Proper system planning is vital in order to maximize the device's performance and road safety. Plan your installation carefully to avoid compromising performance reliability of the system. Consult an authorized Blaupunkt dealer for installation or repairation. Read the manual carefullt before operating the device for the first time.

Safety Notes

Ensure to follow below safety notes during installation and wiring connection: -

- Disconnect the negative terminal of the battery. Refer to the safety notes of the vehcle manufacturer.
- Ensure positions of the holes are nowhere near the vehicle component to avoid any damage during drilling.
- Ensure cross section of the cable is no less than 2.5mm² if the positive and negative cables are too long.
- Incorrect installation may result in malfunction of the device or the car sound system.

Installation and Connection Instructions

- Select a dry and well-ventilated location to install the device.
- The device must not be installed in overly exposed location such on therear shelf, rear seat etc.
- The installation location must be suitable for screw holes and have stable ground support.

Disclaimer

In no event shall Blaupunkt be liable for any direct, indirect, punitive, incidental, special consequential damages to property or life and whatsoever arising out of or connected with the use or misuse of our products.

USA & CANADA: This product is not intended for sale in the United States and Canada. If purchased in the U.S. or Canada, this product is purchased on as-is basis. No warranty, whether expressed or implied is provided in the U.S. or Canada.

Disposal Notes

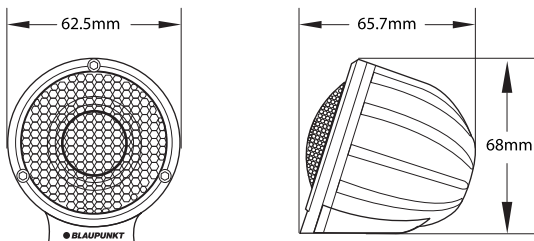


Do not dispose of your old unit in the household trash! Use the return and collection systems available to dispose of the old device.

This manual may be updated from time to time without any notice.

Visit www.blaupunkt.com for more info.

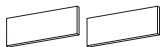
SPECIFICATION



Pair of 2.5" titanium dome tweeter including mounting hardware

- Max. Power Handling : 45W
- Normal Output Power (RMS) : 15W
- Impedance : 4ohms
- Frequency Response : 2,000-22,000Hz
- Sensitivity : 90±3dB
- Mounting Hole Diameter : 157mm
- Voice Coil : 25mm
- Surround : Silk
- Diaphragm : Titanium

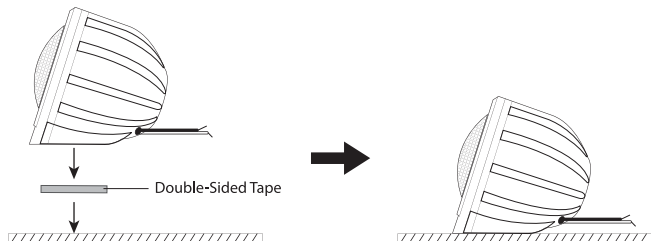
Accessories



2 x Double Sided Tapes

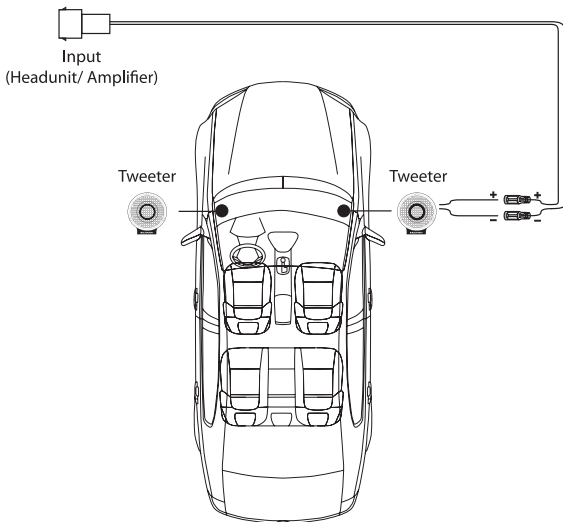
INSTALLATION

Place the double-sided tapes on the bottom of the tweeters and fix it on the dashboard.



WIRING DIAGRAM

Remark : Built-in capacitor in tweeter unit.



TROUBLESHOOTING

If any of the following problem occur, please resort to Troubleshooting for the possible solutions. Consult Blaupunkt authorized dealer if problem persist.

Problems	Possible Causes	Solutions
Speaker does not work	Incorrect or loose wiring connection.	Ensure proper wiring connections of speaker. Repair or replace if the cables are damaged.
	Fraying or broken cables.	Replace with a new speaker.
Distorted and hissing sound	Speaker is damaged.	Replace with a new speaker.
	Voice coil or speaker cone is damaged.	

