

2-WAY COMPONENT SPEAKER

GTx 1662 C20

GTx 1662 C25

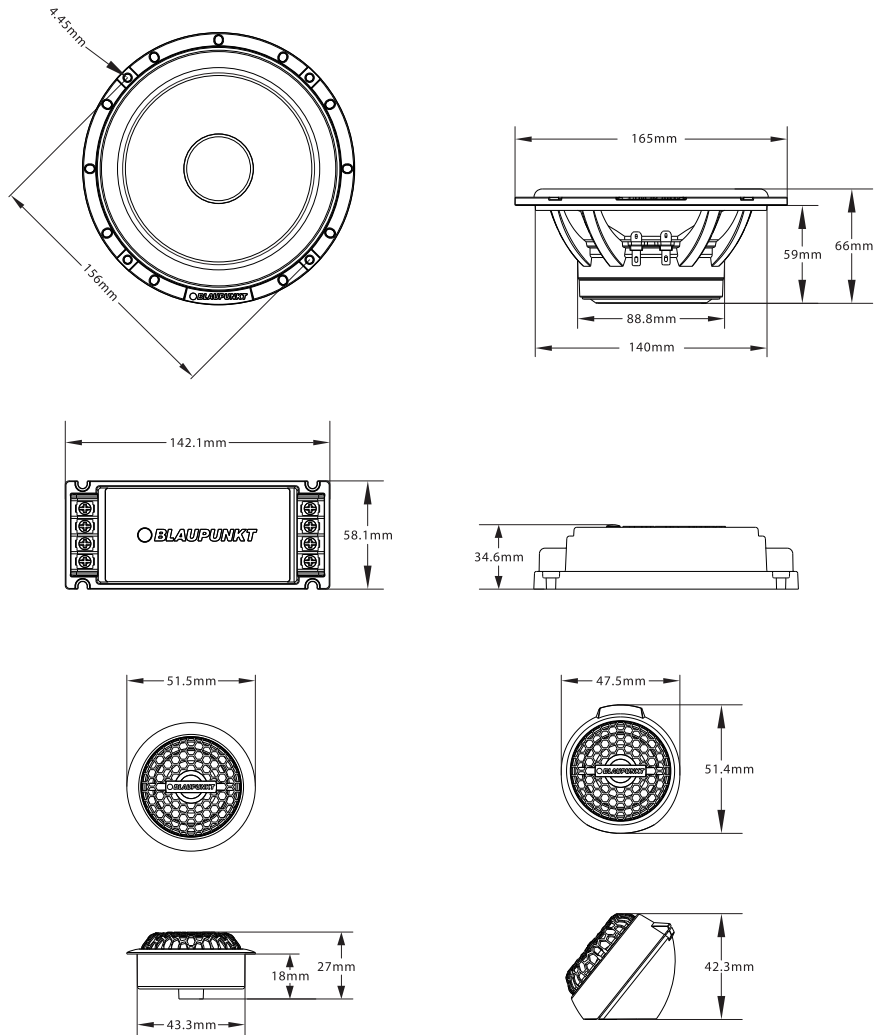


Enjoy it.



GTx 1662 C20

Diagram

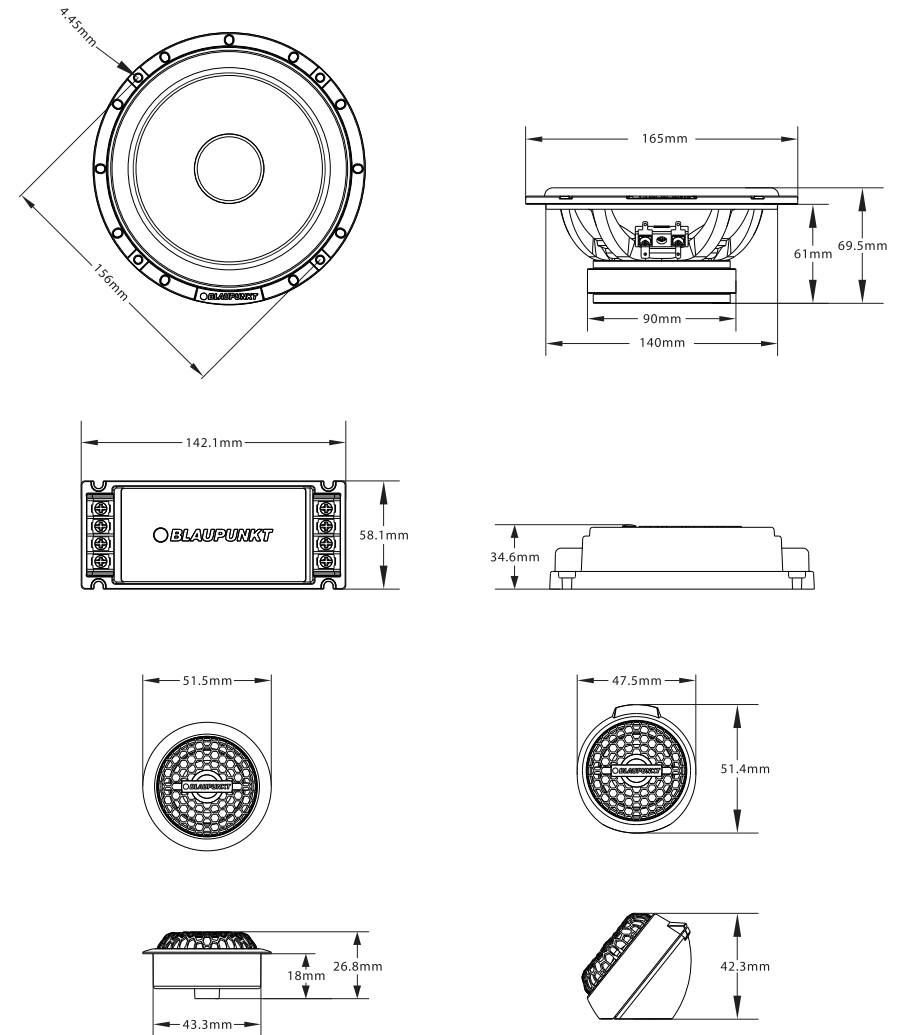


Pair of 2-way component speaker with Polypropylene (PP) Cone Composition including mounting hardware

- Max. output power : 80W
- Normal output power (RMS) : 30W
- Speaker diameter : 6.5"
- Voice coil : 25.5mm
- Tweeter size : 20.4 mm
- Impedance : 3.6 ohms
- Frequency response : 58Hz - 20,000Hz
- Sensitivity : 89dB
- Mounting depth : 59mm
- Diameter hole : 165mm

GTx 1662 C25

Diagram



Pair of 2-way component speaker with Fiber Glass Cone Composition including mounting hardware

- Max. output power : 120W
- Normal output power (RMS) : 50W
- Speaker diameter : 6.5"
- Voice coil : 25.5mm
- Tweeter size : 25.4 mm
- Impedance : 2.8 ohms
- Frequency response : 69Hz - 25,000Hz
- Sensitivity : 93dB
- Mounting depth : 60mm
- Diameter hole : 165mm